

# 蓄能器式液控缓闭止回蝶阀

## 安装型式说明 Instructions of installation method

● 阀门中心离水泵出口距离必需大于2000mm(图一所示) 如果不能满足该条件,要采取整流措施。在可能的条件下应尽量增加此距离,以减少泵出口的紊流流态对阀门的不利影响。

● 有些泵出口处还有一段喇叭,阀门全开时,蝶板不应处在喇叭管内。(图一)

● 卧式布置时,传动机构一般采用正向安装,受现场空间限制也可根据用户要求采用反装型。(图二)

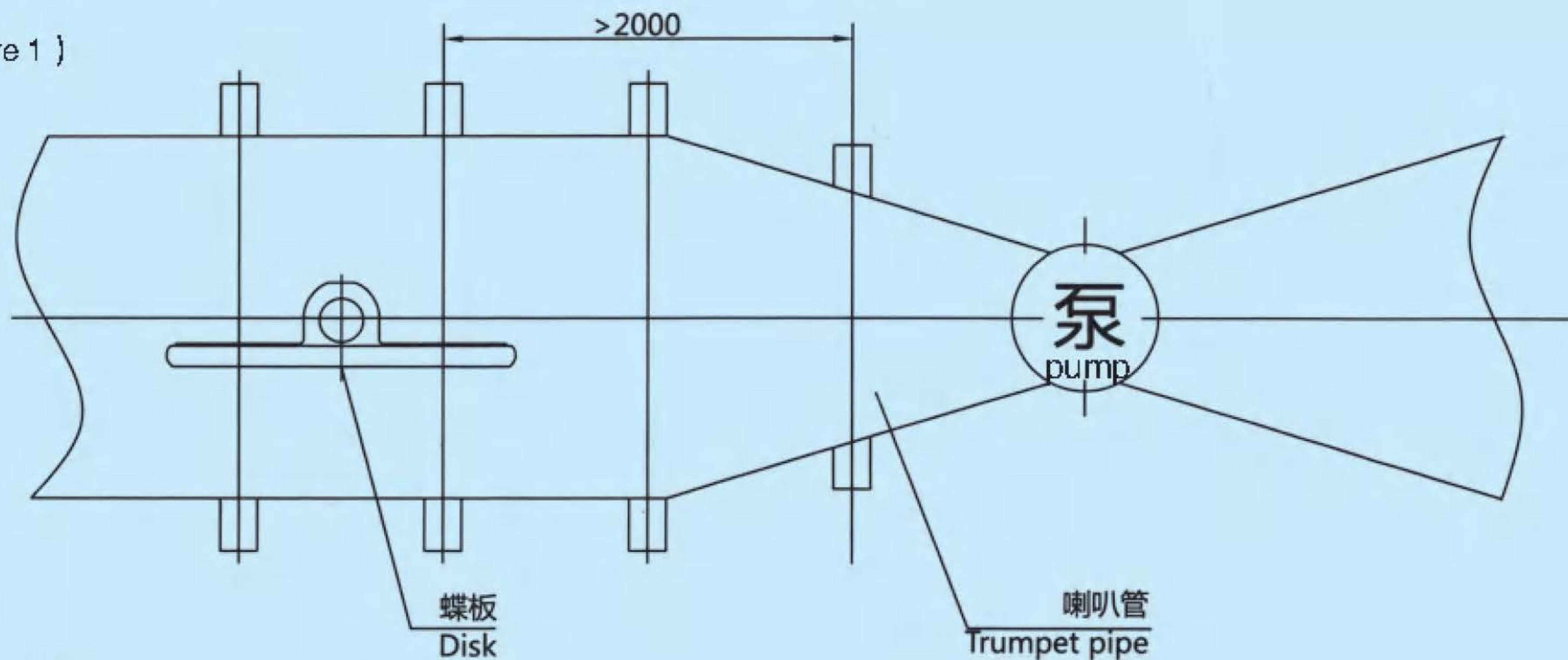
● Low center distance away from the water pump outlet valve must be greater than 2000 mm (as shown in figure -) if you can't satisfy the conditions, to take rectifying measures. Under the condition of may should increase the distance, as far as possible in order to reduce the turbulent flow of pump discharge valve.

● Some pump outlet and a trumpet, when the valve is fully open, the butterfly plate should not be in the horn tube. (figure 1)

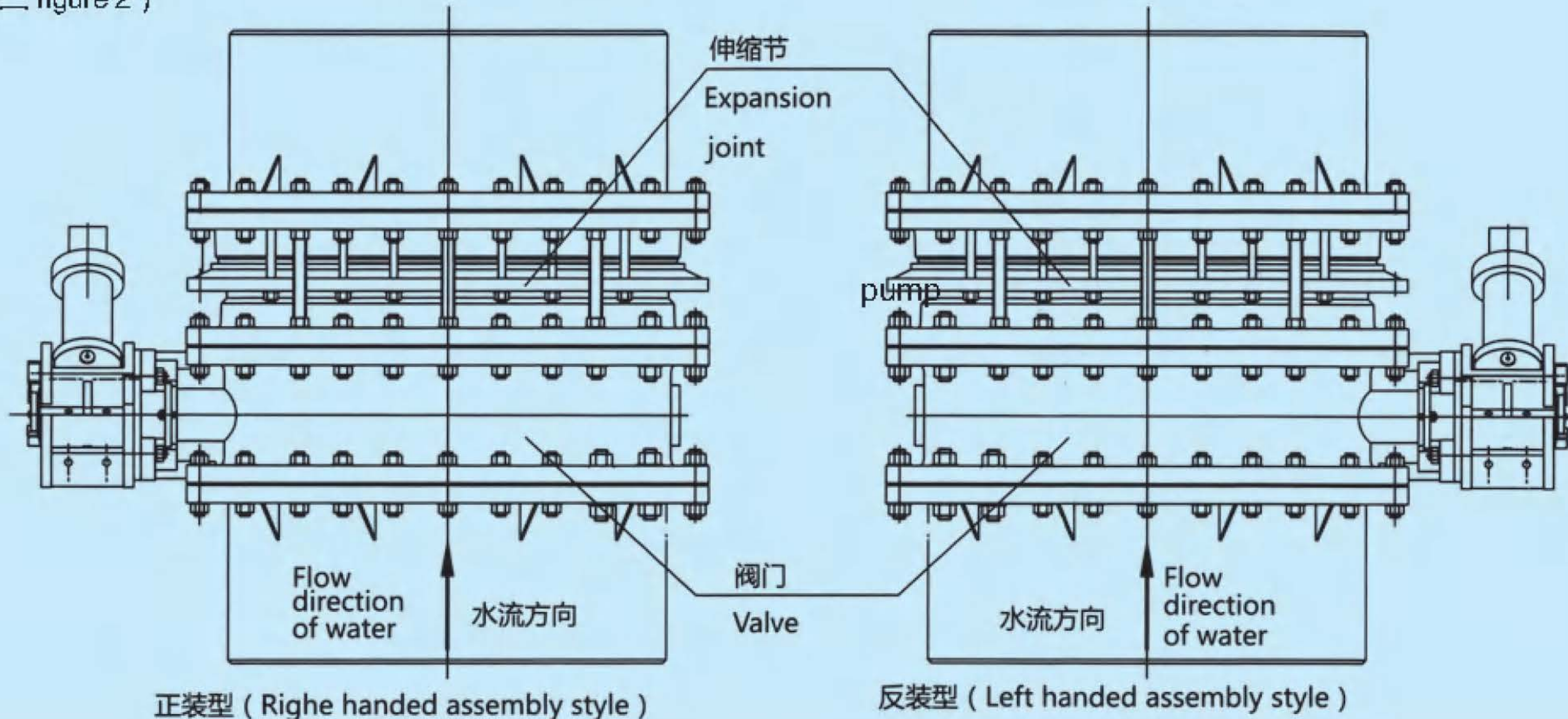
● Commonly used low horizontal layout, the transmission mechanism is installed, restricted by the site space can also be based on user require the use of the loading type (figure 2)



(图一 figure 1)



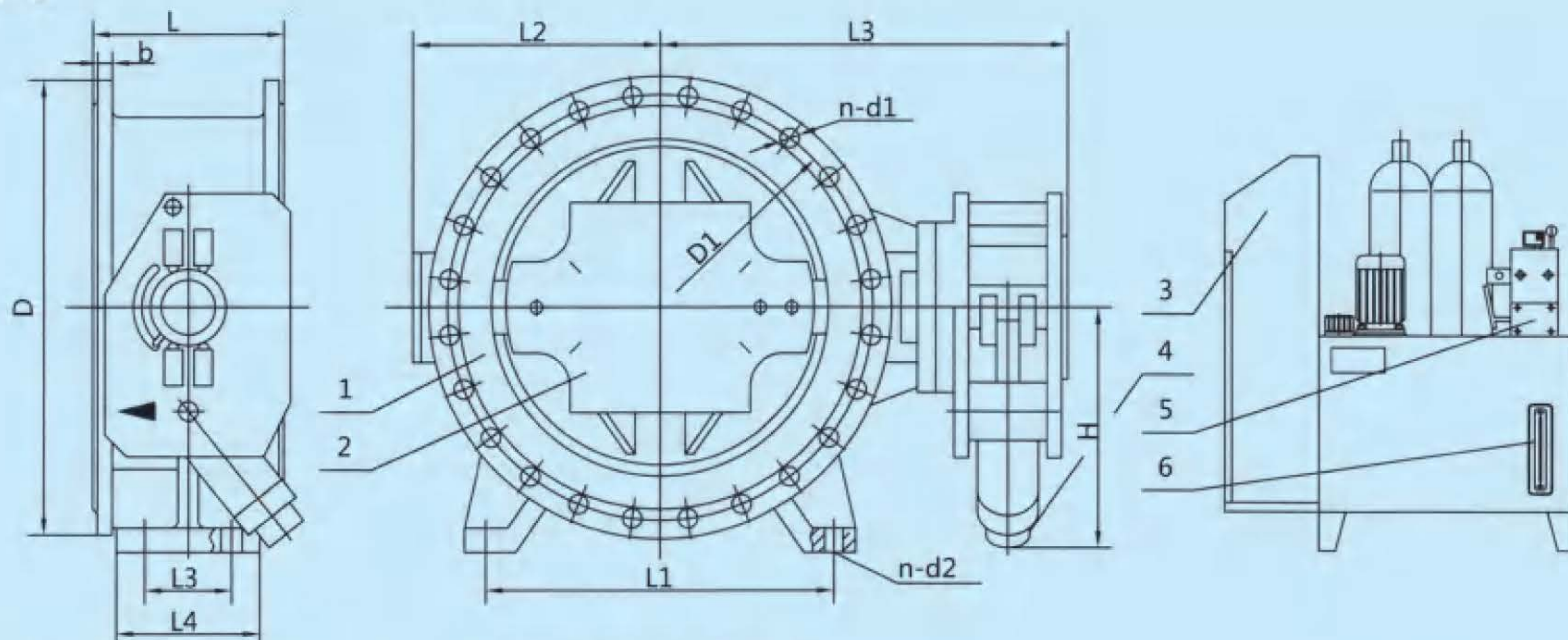
(图二 figure 2)





# 蓄能器式液控缓闭止回蝶阀

KD741X/H-V



1. 阀体 2. 蝶板 3. 电控箱 4. 摆动油缸 5. 液压系统 6. 油标  
1. Valve Body 2. Valve plate 3. Electric Cabinet 4. Swing Oil Cylinder 5. Hydraulic system 6. Oil leveler

主要外形尺寸 ( mm ) Main External and Connection Dimension PN2.5(0.25MPa)

| 公称通径<br>Nominal<br>Diameter | D    | D1   | b                  |                       | L    | L1   | L2   | L3   | L4   | L5   | H    | B1    | B2   | n-d1  | n-d2 |
|-----------------------------|------|------|--------------------|-----------------------|------|------|------|------|------|------|------|-------|------|-------|------|
|                             |      |      | 铸铁<br>Cast<br>iron | 碳钢<br>Carbon<br>Steel |      |      |      |      |      |      |      |       |      |       |      |
| 300                         | 440  | 395  | 24                 | 22                    | 178  | 315  | 285  | 575  | 100  | 150  | 310  | 12-23 | 4-22 | 12-23 | 4-22 |
| 350                         | 490  | 445  | 26                 | 22                    | 190  | 340  | 317  | 605  | 100  | 150  | 320  | 12-23 | 4-22 | 12-23 | 4-22 |
| 400                         | 540  | 495  | 28                 | 22                    | 216  | 410  | 373  | 640  | 100  | 150  | 340  | 16-23 | 4-22 | 16-23 | 4-22 |
| 500                         | 645  | 600  | 30                 | 24                    | 229  | 450  | 400  | 735  | 120  | 170  | 370  | 20-23 | 4-26 | 20-23 | 4-26 |
| 600                         | 755  | 705  | 30                 | 24                    | 267  | 565  | 459  | 800  | 120  | 170  | 400  | 20-26 | 4-26 | 20-26 | 4-26 |
| 700                         | 860  | 810  | 32                 | 24                    | 292  | 640  | 520  | 856  | 120  | 170  | 460  | 24-26 | 4-26 | 24-26 | 4-26 |
| 800                         | 975  | 920  | 34                 | 24                    | 318  | 740  | 578  | 990  | 130  | 180  | 540  | 24-30 | 4-26 | 24-30 | 4-26 |
| 900                         | 1075 | 1020 | 36                 | 24                    | 330  | 820  | 655  | 1039 | 130  | 180  | 580  | 24-30 | 4-30 | 24-30 | 4-30 |
| 1000                        | 1175 | 1120 | 36                 | 24                    | 410  | 900  | 718  | 1089 | 220  | 270  | 635  | 28-30 | 4-30 | 28-30 | 4-30 |
| 1200                        | 1375 | 1320 | 30                 | 26                    | 470  | 1070 | 845  | 1219 | 250  | 340  | 695  | 32-30 | 4-30 | 32-30 | 4-30 |
| 1400                        | 1575 | 1520 | 30                 | 28                    | 530  | 1250 | 975  | 1329 | 320  | 390  | 810  | 36-30 | 4-33 | 36-30 | 4-34 |
| 1600                        | 1790 | 1730 | 32                 | 32                    | 600  | 1250 | 1100 | 1479 | 400  | 470  | 920  | 40-30 | 4-33 | 40-30 | 4-33 |
| 1800                        | 1990 | 1930 | 34                 | 34                    | 670  | 1330 | 1240 | 1650 | 400  | 470  | 1040 | 44-30 | 4-33 | 44-30 | 4-33 |
| 2000                        | 2190 | 2130 | 34                 | 34                    | 760  | 1370 | 1370 | 2180 | 360  | 420  | 1150 | 48-30 | 4-36 | 48-30 | 4-36 |
| 2200                        | 2405 | 2340 | 36                 | 38                    | 800  | 1600 | 1465 | 2685 | 700  | 770  | 1240 | 52-33 | 4-39 | 52-33 | 4-39 |
| 2400                        | 2605 | 2540 | 38                 | 38                    | 850  | 2040 | 1565 | 2785 | 760  | 840  | 1340 | 56-33 | 4-39 | 56-33 | 4-39 |
| 2600                        | 2805 | 2740 | 40                 | 42                    | 900  | 2150 | 1665 | 2835 | 810  | 890  | 1540 | 60-33 | 4-39 | 60-33 | 4-39 |
| 2800                        | 3030 | 2960 | 42                 | 44                    | 950  | 2350 | 1765 | 3135 | 860  | 940  | 1640 | 64-36 | 4-39 | 64-36 | 4-39 |
| 3000                        | 3230 | 3160 | 42                 | 46                    | 1000 | 2550 | 1865 | 3135 | 910  | 1000 | 1740 | 68-36 | 4-42 | 68-36 | 4-42 |
| 3200                        | 3430 | 3360 | 44                 | 48                    | 1100 | 2650 | 1965 | 3185 | 1000 | 1100 | 1840 | 72-36 | 4-42 | 72-36 | 4-42 |
| 3400                        | 3630 | 3560 | 46                 | 50                    | 1200 | 2750 | 2065 | 3235 | 1100 | 1200 | 1940 | 76-36 | 4-42 | 76-36 | 4-42 |
| 3600                        | 3840 | 3770 | 48                 | 52                    | 1200 | 2900 | 2170 | 3420 | 1100 | 1180 | 2050 | 80-36 | 4-42 | 80-36 | 4-42 |
| 4000                        | 4245 | 3970 | 50                 | 54                    | 1300 | 3100 | 2285 | 3580 | 1250 | 1350 | 2160 | 84-39 | 4-42 | 84-39 | 4-42 |
| 4200                        | 4655 | 4180 | 52                 | 58                    | 1300 | 3300 | 2390 | 3700 | 1340 | 1440 | 2280 | 88-39 | 4-42 | 88-39 | 4-42 |
| 4600                        | 5060 | 4400 | 54                 | 60                    | 1300 | 3500 | 2500 | 3820 | 1430 | 1530 | 2390 | 92-43 | 4-42 | 92-43 | 4-42 |



## 蓄能器式液控缓闭止回蝶阀

**主要外形尺寸 (mm) Main External and Connection Dimension PN6(0.6MPa)**

| 公称通径<br>Nominal<br>Diameter | D    | D1   | b                  |                       | L    | L1   | L2   | L3   | L4   | L5   | H    | B1    | B2   | n-d1  | n-d2 |
|-----------------------------|------|------|--------------------|-----------------------|------|------|------|------|------|------|------|-------|------|-------|------|
|                             |      |      | 铸铁<br>Cast<br>iron | 碳钢<br>Carbon<br>Steel |      |      |      |      |      |      |      |       |      |       |      |
| 300                         | 440  | 395  | 24                 | 24                    | 178  | 320  | 270  | 670  | 120  | 170  | 295  | 12-23 | 4-22 | 12-23 | 4-22 |
| 350                         | 490  | 445  | 26                 | 24                    | 190  | 320  | 295  | 695  | 120  | 170  | 295  | 12-23 | 4-22 | 12-23 | 4-22 |
| 400                         | 540  | 495  | 28                 | 24                    | 216  | 340  | 320  | 720  | 150  | 200  | 320  | 16-23 | 4-30 | 16-23 | 4-22 |
| 500                         | 645  | 600  | 30                 | 26                    | 229  | 480  | 370  | 770  | 160  | 210  | 375  | 20-23 | 4-30 | 20-23 | 4-26 |
| 600                         | 755  | 705  | 30                 | 26                    | 267  | 510  | 425  | 825  | 200  | 250  | 425  | 20-26 | 4-30 | 20-26 | 4-26 |
| 700                         | 860  | 810  | 32                 | 26                    | 292  | 550  | 480  | 970  | 220  | 270  | 480  | 24-26 | 4-30 | 24-26 | 4-26 |
| 800                         | 975  | 920  | 34                 | 26                    | 318  | 590  | 535  | 1025 | 250  | 300  | 535  | 24-31 | 4-30 | 24-30 | 4-26 |
| 900                         | 1075 | 1020 | 36                 | 26                    | 330  | 700  | 585  | 1075 | 260  | 310  | 585  | 24-31 | 4-34 | 24-30 | 4-30 |
| 1000                        | 1175 | 1120 | 36                 | 26                    | 410  | 740  | 645  | 1195 | 340  | 390  | 635  | 28-31 | 4-34 | 28-30 | 4-30 |
| 1200                        | 1405 | 1340 | 40                 | 28                    | 470  | 780  | 760  | 1310 | 400  | 450  | 750  | 32-34 | 4-34 | 32-30 | 4-30 |
| 1400                        | 1630 | 1560 | 44                 | 32                    | 530  | 830  | 875  | 1425 | 450  | 510  | 865  | 36-37 | 4-34 | 36-30 | 4-33 |
| 1600                        | 1830 | 1760 | 48                 | 34                    | 600  | 950  | 975  | 1560 | 510  | 570  | 975  | 40-37 | 4-34 | 40-30 | 4-33 |
| 1800                        | 2045 | 1970 | 50                 | 36                    | 670  | 1370 | 1080 | 1700 | 580  | 640  | 1080 | 44-40 | 4-34 | 44-30 | 4-33 |
| 2000                        | 2265 | 2180 | 54                 | 38                    | 760  | 1370 | 1190 | 1810 | 670  | 670  | 1190 | 48-43 | 4-34 | 48-30 | 4-36 |
| 2200                        | 2475 | 2390 | 60                 | 40                    | 800  | 1600 | 1310 | 1915 | 700  | 760  | 1295 | 52-43 | 4-42 | 52-33 | 4-39 |
| 2400                        | 2685 | 2600 | 62                 | 42                    | 850  | 1730 | 1430 | 2020 | 760  | 820  | 1400 | 56-43 | 4-42 | 56-33 | 4-39 |
| 2600                        | 2905 | 2810 | 64                 | 44                    | 900  | 1880 | 1530 | 2150 | 810  | 870  | 1520 | 60-49 | 4-42 | 60-33 | 4-39 |
| 2800                        | 3115 | 3020 | 68                 | 46                    | 950  | 2960 | 1635 | 2255 | 860  | 920  | 1625 | 64-49 | 4-42 | 64-36 | 4-39 |
| 3000                        | 3315 | 3220 | 70                 | 48                    | 1000 | 3180 | 1735 | 2355 | 920  | 980  | 1725 | 68-49 | 4-42 | 68-36 | 4-42 |
| 3200                        | 3525 | 3430 | 76                 | 50                    | 1100 | 3380 | 1840 | 2460 | 980  | 1050 | 1830 | 72-49 | 4-42 | 72-36 | 4-42 |
| 3400                        | 3735 | 3640 | 80                 | 52                    | 1200 | 2580 | 1940 | 2560 | 1040 | 1100 | 1935 | 76-49 | 4-42 | 76-36 | 4-42 |
| 3600                        | 3970 | 3860 | 84                 | 54                    | 1200 | 3780 | 2085 | 2685 | 1100 | 1180 | 2055 | 80-56 | 4-42 | 80-36 | 4-42 |
| 4000                        | 4380 | 4270 | /                  | 58                    | 1300 | 4280 | 2290 | 2990 | 1250 | 1350 | 2260 | 88-56 | 4-42 | 84-39 | 4-42 |
| 4200                        | 4580 | 4470 | /                  | 60                    | 1300 | 4490 | 2390 | 3090 | 1340 | 1440 | 2360 | 92-56 | 4-42 | 88-39 | 4-42 |
| 4600                        | 5170 | 5060 | /                  | 65                    | 1300 | 4990 | 2685 | 3385 | 1430 | 1530 | 2655 | 92-62 | 4-42 | 92-43 | 4-42 |



## 蓄能器式液控缓闭止回蝶阀

**主要外形尺寸 ( mm ) Main External and Connection Dimension PN10(1.0MPa)**

| 公称通径<br>Nominal<br>Diameter | D    | D1   | b                  |                       | L    | L1   | L2   | L3   | L4   | L5   | H     | B1    | B2   | n-d1  | n-d2 |
|-----------------------------|------|------|--------------------|-----------------------|------|------|------|------|------|------|-------|-------|------|-------|------|
|                             |      |      | 铸铁<br>Cast<br>iron | 碳钢<br>Carbon<br>Steel |      |      |      |      |      |      |       |       |      |       |      |
| 300                         | 445  | 400  | 28                 | 26                    | 178  | 320  | 280  | 590  | 120  | 170  | 300   | 12-23 | 4-30 | 12-23 | 4-22 |
| 350                         | 505  | 460  | 30                 | 26                    | 190  | 320  | 305  | 640  | 120  | 170  | 300   | 16-23 | 4-30 | 12-23 | 4-22 |
| 400                         | 565  | 515  | 32                 | 26                    | 216  | 340  | 365  | 730  | 150  | 200  | 300   | 16-28 | 4-30 | 16-23 | 4-22 |
| 500                         | 670  | 620  | 34                 | 28                    | 229  | 400  | 440  | 785  | 160  | 210  | 350   | 20-28 | 4-30 | 20-23 | 4-26 |
| 600                         | 780  | 725  | 36                 | 34                    | 267  | 430  | 525  | 840  | 200  | 250  | 405   | 20-31 | 4-30 | 20-26 | 4-26 |
| 700                         | 895  | 840  | 40                 | 34                    | 292  | 570  | 555  | 985  | 220  | 270  | 460   | 24-31 | 4-30 | 24-26 | 4-26 |
| 800                         | 1015 | 950  | 44                 | 36                    | 318  | 610  | 605  | 1045 | 250  | 300  | 520   | 24-34 | 4-30 | 24-30 | 4-26 |
| 900                         | 1155 | 1050 | 46                 | 38                    | 330  | 700  | 670  | 1095 | 260  | 310  | 570   | 28-34 | 4-34 | 24-30 | 4-30 |
| 1000                        | 1230 | 1160 | 50                 | 38                    | 410  | 740  | 755  | 1225 | 340  | 390  | 640   | 28-37 | 4-34 | 28-30 | 4-30 |
| 1200                        | 1455 | 1380 | 56                 | 44                    | 470  | 790  | 855  | 1335 | 400  | 450  | 750   | 32-40 | 4-34 | 32-30 | 4-30 |
| 1400                        | 1675 | 1590 | 62                 | 48                    | 530  | 840  | 1010 | 1445 | 450  | 510  | 865   | 36-43 | 4-34 | 36-30 | 4-33 |
| 1600                        | 1915 | 1820 | 68                 | 52                    | 600  | 960  | 1120 | 1600 | 510  | 570  | 980   | 40-49 | 4-34 | 40-30 | 4-33 |
| 1800                        | 2115 | 2020 | 70                 | 56                    | 670  | 1370 | 1210 | 1735 | 580  | 640  | 1110  | 44-49 | 4-34 | 44-30 | 4-33 |
| 2000                        | 2325 | 2230 | 74                 | 58                    | 760  | 1370 | 1380 | 1840 | 670  | 670  | 1185  | 48-49 | 4-34 | 48-30 | 4-36 |
| 2200                        | 2550 | 2440 | /                  | 60                    | 800  | 1600 | 1480 | 1955 | 700  | 760  | 1300  | 52-56 | 4-42 | 52-33 | 4-39 |
| 2400                        | 2760 | 2650 | /                  | 62                    | 850  | 1740 | 1590 | 2060 | 760  | 820  | 1400  | 56-56 | 4-42 | 56-33 | 4-39 |
| 2600                        | 2960 | 2850 | /                  | 66                    | 900  | 1880 | 1670 | 2180 | 810  | 870  | 1530  | 60-56 | 4-42 | 60-33 | 4-39 |
| 2800                        | 3180 | 3070 | /                  | 70                    | 950  | 2960 | 1890 | 2290 | 860  | 920  | 1660  | 64-56 | 4-42 | 64-36 | 4-39 |
| 3000                        | 3405 | 3290 | /                  | 75                    | 1000 | 3180 | 2000 | 2400 | 920  | 980  | 1770  | 68-61 | 4-42 | 68-36 | 4-42 |
| 3200                        | 3605 | 3490 | /                  | 80                    | 1100 | 3380 | 2200 | 2500 | 980  | 1050 | 1870  | 72-61 | 4-42 | 72-36 | 4-42 |
| 3400                        | 3805 | 3690 | /                  | 82                    | 1200 | 3580 | 2300 | 2600 | 1040 | 1100 | 1970  | 76-61 | 4-42 | 76-36 | 4-42 |
| 3600                        | 4005 | 3890 | /                  | 84                    | 1200 | 3780 | 2400 | 2700 | 1100 | 1180 | 2070  | 80-61 | 4-42 | 80-36 | 4-42 |
| 4000                        | 4505 | 4390 | /                  | 84                    | 1300 | 4280 | 2755 | 3050 | 1250 | 1350 | 23320 | 82-67 | 4-42 | 84-39 | 4-42 |
| 4200                        | 4715 | 4600 | /                  | 88                    | 1300 | 4490 | 3005 | 3155 | 1340 | 1440 | 2425  | 88-67 | 4-42 | 88-39 | 4-42 |
| 4600                        | 5215 | 5100 | /                  | 90                    | 1300 | 4990 | 4000 | 3405 | 1430 | 1530 | 2675  | 92-67 | 4-42 | 92-43 | 4-42 |



## 蓄能器式液控缓闭止回蝶阀

**主要外形尺寸 (mm) Main External and Connection Dimension PN16(1.6MPa)**

| 公称通径<br>Nominal<br>Diameter | D    | D1   | b                  |                       | L   | L1   | L2   | L3   | L4  | L5  | H    | B1    | B2   | n-d1  | n-d2 |
|-----------------------------|------|------|--------------------|-----------------------|-----|------|------|------|-----|-----|------|-------|------|-------|------|
|                             |      |      | 铸铁<br>Cast<br>iron | 碳钢<br>Carbon<br>Steel |     |      |      |      |     |     |      |       |      |       |      |
| 300                         | 460  | 410  | 32                 | 28                    | 178 | 390  | 300  | 680  | 120 | 170 | 320  | 12-28 | 4-30 | 12-28 | 4-30 |
| 350                         | 520  | 470  | 36                 | 30                    | 190 | 400  | 310  | 710  | 120 | 170 | 330  | 16-28 | 4-30 | 16-28 | 4-30 |
| 400                         | 580  | 525  | 38                 | 32                    | 216 | 455  | 390  | 740  | 150 | 200 | 340  | 16-31 | 4-30 | 16-31 | 4-30 |
| 500                         | 715  | 650  | 42                 | 36                    | 229 | 580  | 450  | 805  | 160 | 210 | 405  | 20-34 | 4-30 | 20-34 | 4-30 |
| 600                         | 840  | 770  | 48                 | 38                    | 267 | 690  | 520  | 870  | 200 | 250 | 470  | 20-37 | 4-30 | 20-37 | 4-30 |
| 700                         | 910  | 840  | 54                 | 38                    | 292 | 750  | 595  | 995  | 220 | 270 | 505  | 24-37 | 4-30 | 24-37 | 4-30 |
| 800                         | 1025 | 950  | 58                 | 38                    | 318 | 860  | 650  | 1050 | 250 | 300 | 560  | 24-40 | 4-30 | 24-40 | 4-30 |
| 900                         | 1125 | 1050 | 62                 | 40                    | 330 | 960  | 720  | 1100 | 260 | 310 | 610  | 28-40 | 4-34 | 28-40 | 4-34 |
| 1000                        | 1255 | 1170 | 66                 | 42                    | 410 | 1080 | 780  | 1235 | 340 | 390 | 675  | 28-43 | 4-34 | 28-43 | 4-34 |
| 1200                        | 1485 | 1390 | /                  | 48                    | 470 | 1280 | 900  | 1350 | 400 | 450 | 790  | 32-49 | 4-34 | 32-49 | 4-34 |
| 1400                        | 1685 | 1590 | /                  | 52                    | 530 | 1480 | 1020 | 1455 | 450 | 510 | 890  | 36-49 | 4-34 | 36-49 | 4-34 |
| 1600                        | 1930 | 1820 | /                  | 58                    | 600 | 1710 | 1145 | 1610 | 510 | 570 | 1025 | 40-56 | 4-34 | 40-56 | 4-34 |
| 1800                        | 2130 | 2020 | /                  | 62                    | 670 | 1910 | 1265 | 1745 | 580 | 640 | 1125 | 44-56 | 4-34 | 44-56 | 4-34 |
| 2000                        | 2345 | 2230 | /                  | 66                    | 760 | 2120 | 1370 | 1850 | 670 | 670 | 1230 | 48-62 | 4-34 | 48-62 | 4-34 |
| 2200                        | 2555 | 2440 | /                  | 70                    | 800 | 2330 | 1470 | 1955 | 700 | 760 | 1335 | 52-62 | 4-42 | 52-62 | 4-42 |
| 2400                        | 2780 | 2650 | /                  | 74                    | 850 | 2540 | 1690 | 2070 | 760 | 820 | 1450 | 56-62 | 4-42 | 56-62 | 4-42 |

**主要外形尺寸 (mm) Main External and Connection Dimension PN25(2.5MPa)**

| 公称通径<br>Nominal<br>Diameter | D    | D1   | b                  |                       | L   | L1   | L2   | L3   | L4  | L5  | H    | B1    | B2   | n-d1  | n-d2 |
|-----------------------------|------|------|--------------------|-----------------------|-----|------|------|------|-----|-----|------|-------|------|-------|------|
|                             |      |      | 铸铁<br>Cast<br>iron | 碳钢<br>Carbon<br>Steel |     |      |      |      |     |     |      |       |      |       |      |
| 300                         | 485  | 430  | 40                 | 34                    | 178 | 420  | 320  | 720  | 120 | 170 | 320  | 16-31 | 4-30 | 16-31 | 4-30 |
| 350                         | 555  | 490  | 44                 | 38                    | 190 | 420  | 320  | 720  | 120 | 170 | 320  | 16-34 | 4-30 | 16-34 | 4-30 |
| 400                         | 620  | 550  | 48                 | 40                    | 216 | 480  | 410  | 760  | 150 | 200 | 360  | 16-37 | 4-30 | 16-37 | 4-30 |
| 500                         | 730  | 660  | 52                 | 44                    | 229 | 590  | 465  | 815  | 160 | 210 | 415  | 20-37 | 4-30 | 20-37 | 4-30 |
| 600                         | 845  | 770  | 56                 | 46                    | 267 | 690  | 520  | 870  | 200 | 250 | 470  | 20-40 | 4-30 | 20-40 | 4-30 |
| 700                         | 960  | 875  | /                  | 46                    | 292 | 785  | 620  | 1020 | 220 | 270 | 530  | 24-43 | 4-36 | 24-43 | 4-36 |
| 800                         | 1085 | 990  | /                  | 50                    | 318 | 900  | 680  | 1080 | 250 | 300 | 590  | 24-49 | 4-36 | 24-49 | 4-36 |
| 900                         | 1185 | 1090 | /                  | 54                    | 330 | 1000 | 750  | 1130 | 260 | 310 | 640  | 28-49 | 4-36 | 28-49 | 4-36 |
| 1000                        | 1320 | 1210 | /                  | 58                    | 410 | 1120 | 820  | 1270 | 340 | 390 | 710  | 28-56 | 4-36 | 28-56 | 4-36 |
| 1200                        | 1530 | 1420 | /                  | 62                    | 470 | 1310 | 925  | 1375 | 400 | 450 | 815  | 32-56 | 4-36 | 32-56 | 4-36 |
| 1400                        | 1755 | 1640 | /                  | 66                    | 530 | 1530 | 1050 | 1485 | 450 | 510 | 925  | 36-60 | 4-36 | 36-60 | 4-36 |
| 1600                        | 1975 | 1860 | /                  | 70                    | 600 | 1750 | 1160 | 1630 | 510 | 570 | 1045 | 40-62 | 4-36 | 40-62 | 4-36 |
| 1800                        | 2195 | 2070 | /                  | 74                    | 670 | 1960 | 1290 | 1755 | 580 | 640 | 1155 | 44-70 | 4-42 | 44-70 | 4-42 |
| 2000                        | 2425 | 2300 | /                  | 78                    | 760 | 2190 | 1410 | 1890 | 670 | 670 | 1270 | 48-70 | 4-42 | 48-70 | 4-42 |

注: 1. 表中阀门结构长度按照 GB/T12221-2005。

2. 除以上标准规格外, 可根据用户的实际需要, 本公司可承接非标规格阀门的设计制造。

Notes: 1. Valve structure length stated in above table, is based on GB/T12221-2005.

2. In addition to the standards listed above, non-standard valves can be designed to meet users' specific requirements as well.