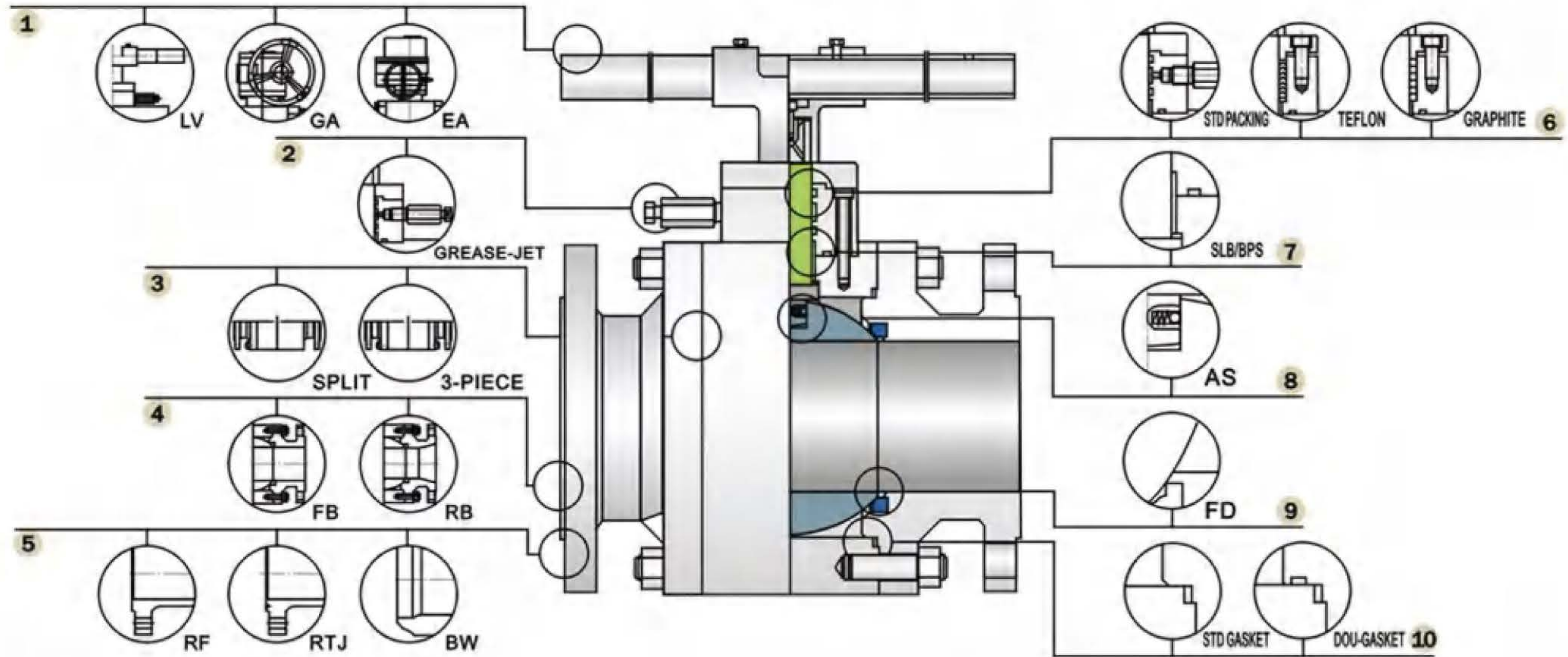


美标锻钢浮动球阀

设计 Design

我公司锻钢球阀为提供最大的操作寿命和可靠性而设计和生产的，所有的球阀都符合美国石油学会标准 API608 和 API6D 的要求和英标 BS535 与美国机械工程师协会标准 ASME B16.34 一致。阀门由完整的阀体和内件组成。

My company Forged steel valves to provide maximum operation life and reliability of design and production, all the ball valves conform to the American petroleum institute standard API608 and API6D requirements and British standard BS535 is consistent with the standards of the American society of mechanical engineers ASME B16.34. The valve consists of a complete valve body and internal parts.



- | | |
|--------------|--|
| 内件变化 | Internal parts change |
| 连接方式改变 | Connection mode change |
| 填料和垫片的改变 | The change of the packing and gasket |
| 固定式操作 | Stationary operation |
| 加长手柄 | Longer handle |
| 压力调节 | Pressure regulation |
| 静电弹簧 / 防火标准 | Electrostatic spring/fire protection standards |
| 客户的特殊铸造要求 | Special casting requirements of customers |
| 焊接端的内孔改变 | Welding the inner hole change |
| 氧 / 氯气的清洁及包装 | Oxygen/chlorine gas cleaning and packaging |

- 1、操作
用手柄更容易操作，同样也可以用蜗轮、电动、气动、液动，他们用于更艰难的环境下。
- 2、注脂阀
说明的部件已按照申请完成并且满足普通的环境，在污点处能够很好的密封并且很容易维修。
- 3、阀体-阀盖
不采用 3 片式 8" 以下的阀体、阀盖，用这种结构更方便于外部零件的修理和替换。
- 4、口径
可采用法兰连接、环连接、对接焊管件。
- 5、连接方式
可采用法兰连接、环连接、对接焊管件。
- 6、填料
标准填料一般采用特氟龙材质，保证填料在高循环的压缩和严峻的操作环境下，石墨填料适合高温条件下使用。
- 7、滚动轴承
自动滚动轴承，非固定很容易操作，低损坏，寿命长。
阀杆防脱防止阀杆脱落，一个压力安全的阀杆设计应该是有防脱结构，在正常压力下不易飞出。
- 8、静电弹簧
这种连接总是在球体和阀杆 / 阀体之间运动卸载最终在操作时静止。
- 9、防火标准
根据 API607 或 BS6755 来设计，确保他们在发生火灾时的操作适用性，其次金属密封面当主要的密封面被火破坏时就像是一层隔离墙，符合 API607 的阀门带石墨填料和垫片。
- 10、垫片
SID 垫片或双垫片 SID 垫片采用高性能橡胶阀座，双垫片采用高性能橡胶阀座和螺旋式石墨。

- 1, the operation
Handle is more easy to operate, also can use the worm gear, electric, pneumatic, hydraulic, they used to more difficult circumstances.
- 2, on the valve
Description of parts has been done according to the application and to meet the common environment. The stain can good sealing and easy to maintain.
- 3 a bonnet and valve body
Do not use 3 chip 8 "the following valve body, bonnet, with this kind of structure is more convenient to repair and replacement of external parts.
- 4, size
Can be connected by flange, ring joint, butt welding pipe fittings.
- 5, connection mode
Can be connected by flange, ring joint, butt welding pipe fittings.
- 6, packing
Standard teflon commonly used packing material, packing materials in high cycle compression and severe operating environment, graphite packing is suitable for use under high temperature.
- 7, rolling bearing
Fixed automatic rolling bearing. The easy operation, low damage, long service life.
The valve stem overhand
Prevent stem falls off, a pressure safety valve stem should be prevent to take off the structure design, in the normal Pressure is not easy to fly out.
- 8, electrostatic spring
The connection is always on the ball and stem/body movement between discharge plant eventually still in operation.
- 9, fire prevention standards
According to the design, API607 or BS6755 to ensure their applicability in during the operation of the fire, the second metal sealing face when main sealing surface is destroyed by fire is like a layer of barrier, conforms to the API607 valve with graphite packing and gaskets.
- 10, gasket
SID gasket or double gasket SID gasket adopts high-performance rubber seat. Double gasket adopts high-performance rubber seat and graphite spiral.

美标锻钢浮动球阀

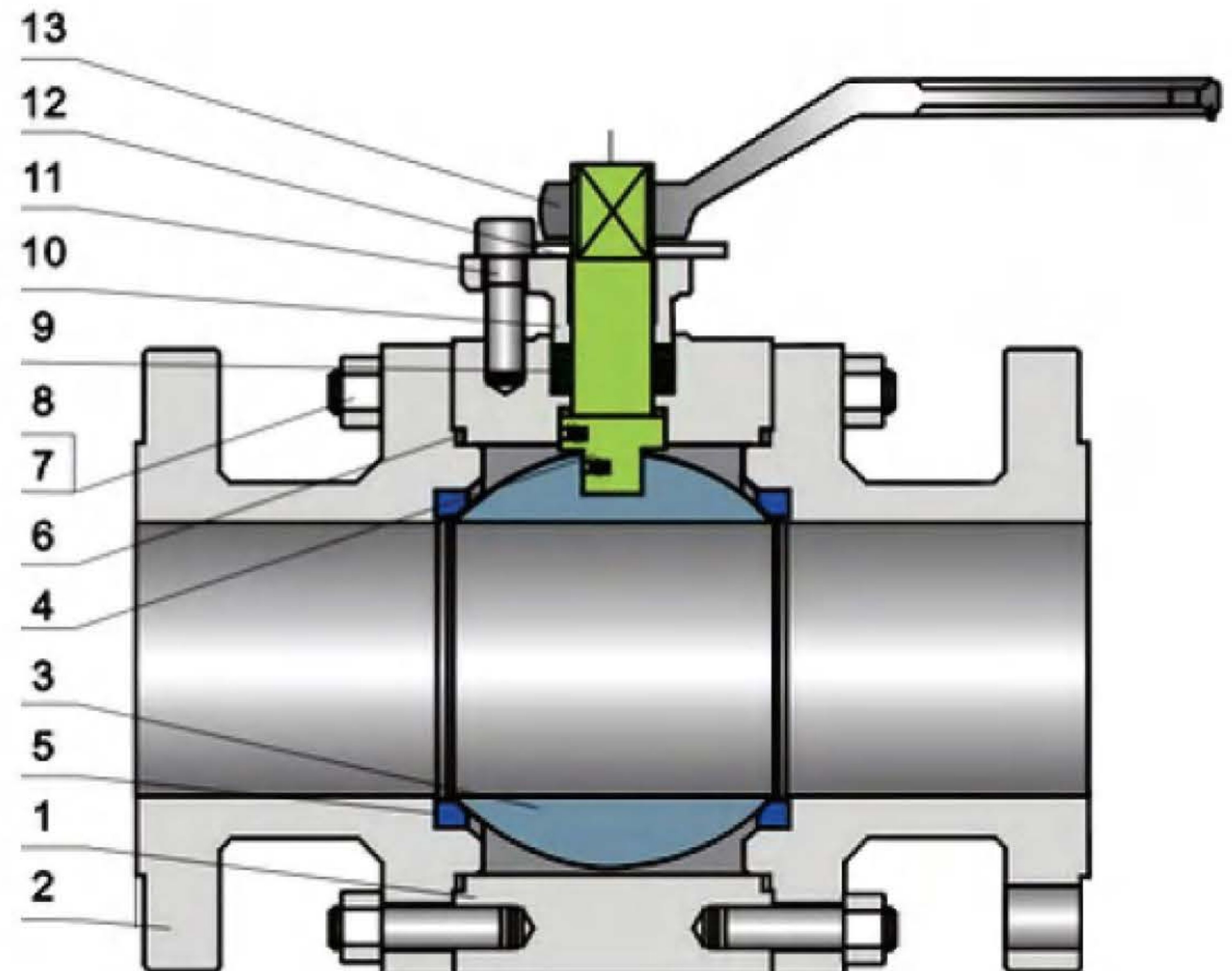
应用标准 Application standards

铸钢球阀符合 API 608/API 6D 标准
 铸钢球阀符合 ISO 10434/ISQ 14313 标准
 防火标志采用 API 607 标准
 防静电采用 API 608 标准
 铸钢符合 ASME B 16.34 标准
 结构长度符合 ASME B 16.10 标准
 法兰尺寸符合 ASME B 16.5 标准
 对接焊符合 ASME B 16.25 标准
 试验与检验符合 API 598/API 6D 标准

Cast steel ball valve in accordance with API 608 / API 6 d standard
 Cast steel ball valves conform to ISO 10434 / ISQ 10434 standard
 Fire signs with API 607 standard
 Antistatic with API 608 standard
 Cast steel in accordance with ASME B 16.34 standard
 Structure length in accordance with ASME B 16.10 standard
 Flange dimensions conform to the ASME B 16.5 standard
 Butt welding in accordance with ASME B 16.25 standard
 Test and inspection accord with API 598 / API 6D standard

设计描述 Design description

全通径设计	Full size design
螺栓连接	Bolt connection
固定结构	Fixed structure
防脱阀杆	Resistance from the valve stem
防火设计	Fire protection design
静电装置	Electrostatic device
切断装置	Cut off the device
ISO5211 固定盘	Fixed with ISO5211 disk
法兰 / 焊接端	Flange/welding end
蜗轮操作	Worm gear operation



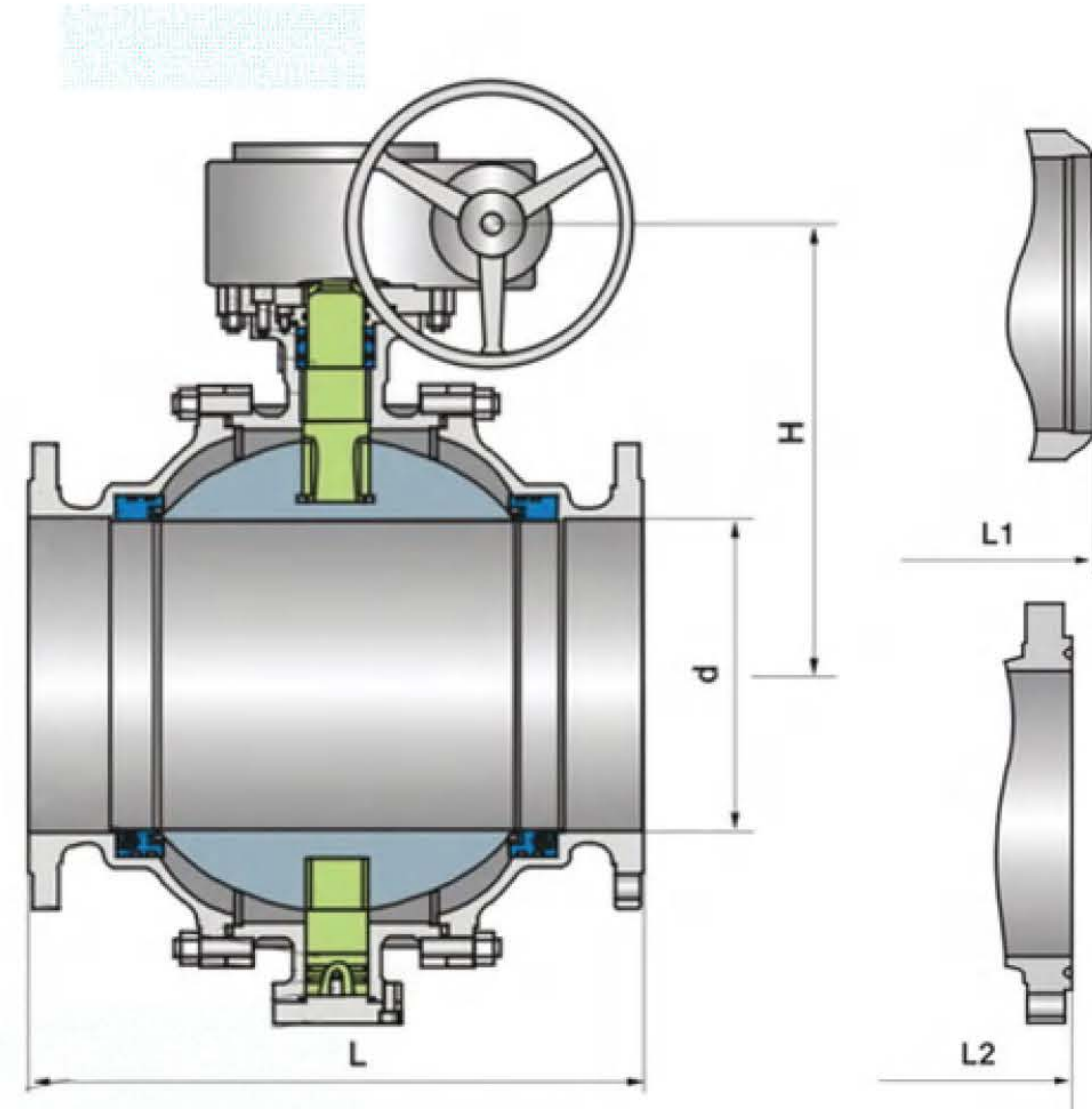
各部件材质 Each part material

序号 No.	零件名称 Parts Name	ASTM 材质 ASTM material		
1	阀体 valve body	A216-WCB	A351-CF8M	A352-LCB
2	阀盖 cover	A216-WCB	A351-CF8M	A352-LCB
3	球 ball	A182-F304	A182-F316	A182-F304
4	阀杆 valve stem	A276-304	A276-316	A276-304
5	阀座 The seat	R.PTFE		
6	垫片 gasket	Graphite+304	PTFE	Graphite+304
7	阀盖螺栓 Valve cover bolts	A193-B7	A193-B8	A320-L7
8	阀盖螺母 The valve cover nut	A194-2H	A194-8	A194-4
9	填料 packing	PTFE		
10	填料压板 Packing pressure plate	A105	A182-F316	A350-LF2
11	填料螺栓 Packing bolts	A193-B7	A193-B8	A193-B7
12	定位片 Locating piece	碳钢 Carbon steel	碳钢 Carbon steel+Zn	碳钢 Carbon steel
13	手柄 The handle	碳钢 Carbon steel		

注释 :1、A105+ENP 可选择的
 2、缠绕石墨垫片
 3、可根据不同的介质选用不同的材质。

Note: 1. A105 + ENP optional
 2. winding graphite gaskets
 3. can choose different material according to different media.

美标锻钢浮动球阀



外形尺寸 Overall dimensions (mm)

ANSI Class 150Lb												
NPS	1/2	3/4	1	1 1/2	2	2 1/2	3	4	6	8	10	12
(RF) L	108	117	127	165	178	190	203	229	394	457	533	610
(BW)L1	140	152	165	190	216	241	283	305	457	521	559	635
H	55	55	65	85	100	150	180	235	250	280	320	390
(d)	13	19	25	32	49	62	74	100	150	201	252	303
W	200	200	300	300	400	400	600	600	600	600	800	800

外形尺寸 Overall dimensions (mm)

ANSI Class300Lb												
NPS	1/2	3/4	1	1 1/2	2	2 1/2	3	4	6	8	10	12
(RF) L	140	152	165	190	216	241	283	305	403	502	568	648
(BW)L1	140	152	165	190	216	241	283	305	457	521	559	635
H	55	55	65	85	400	400	600	600	250	280	320	390
(d)	13	19	25	32	49	62	74	100	150	201	252	303
W	200	200	300	300	250	300	350	480	600	600	800	800

外形尺寸 Overall dimensions (mm)

ANSI Class600Lb										
NPS	1/2	3/4	1	1 1/2	2	2 1/2	3	4	6	
(RF) L	165	190	216	241	292	330	356	432	559	
(BW)L1	-	-	-	-	295	333	359	435	562	
H	58	58	68	89	105	158	190	247	262	
(d)	13	19	25	32	49	62	74	100	150	
W	200	300	300	400	400	600	600	600	800	